

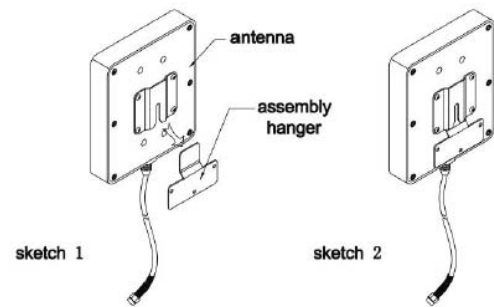
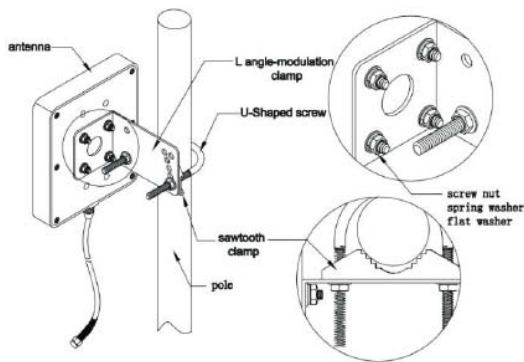
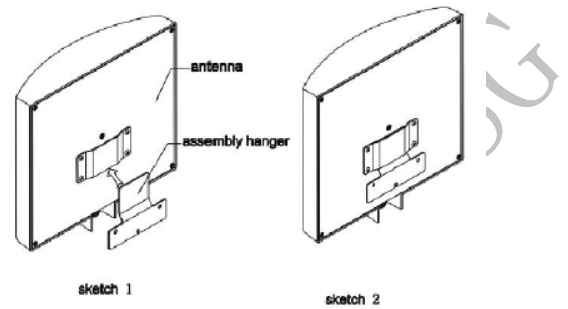
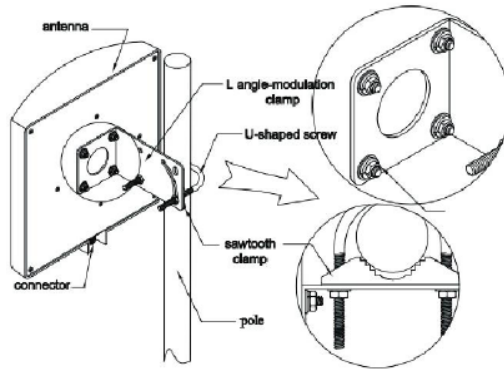
Wall Mount Antenna

| Prepared: Chris Chai | | Approved: Adam Chen | |
|----------------------|------------------|---------------------|----------|
| Checked: Feidi Pei | | Customer: | |
| Version | Changed Reason | Changed by | Date |
| 01 | Original version | Chris | 20191008 |
| | | | |
| | | | |

Address (India): H-601, Officer City2, Rajnagar Extension, Ghaziabad

Address (TW): 2F., NO 3, Gongye 4th RD., Hukou Shiang Hsinchu County 303-51, Taiwan

Install



Products

AMXW-2400-10A



| Dimensions -mm | Half-power beam width (°) | Gain (dBi) |
|----------------|---------------------------|------------|
| 140x120x25 | H50 ; V50 | 10 |

AMXW-2400-10B



| Dimensions -mm | Half-power beam width (°) | Gain (dBi) |
|----------------|---------------------------|------------|
| 140x120x40 | H50 ; V50 | 10 |

AMXW-2400-12

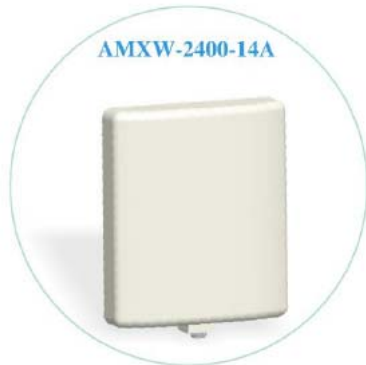


| Dimensions -mm | Half-power beam width (°) | Gain (dBi) |
|----------------|---------------------------|------------|
| 198x98x25 | H50 ; V30 | 12 |

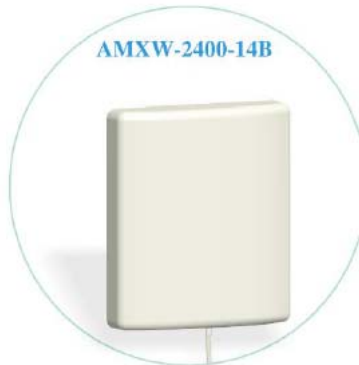
Confidential

This is a proprietary information of PSG.
No reproduction / copying is allowed without permission.

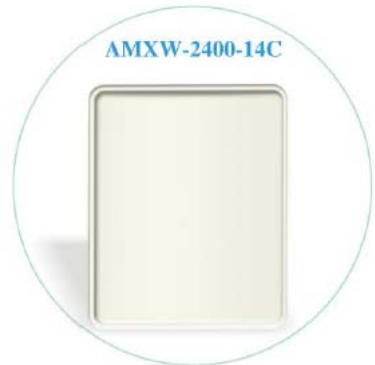
<https://psgtek.com>



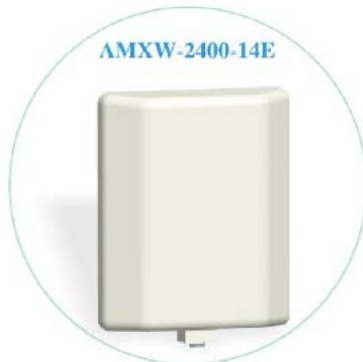
| Dimensions -mm | Half-power beam width (°) | Gain (dBi) |
|----------------|---------------------------|------------|
| 225x195x47 | H30 ;V30 | 14 |



| Dimensions -mm | Half-power beam width (°) | Gain (dBi) |
|----------------|---------------------------|------------|
| 225x195x47 | H30 ;V30 | 14 |



| Dimensions -mm | Half-power beam width (°) | Gain (dBi) |
|----------------|---------------------------|------------|
| 235x195x35 | H30 ;V30 | 14 |



| Dimensions -mm | Half-power beam width (°) | Gain (dBi) |
|----------------|---------------------------|------------|
| 220x180x45 | H30 ;V30 | 14 |



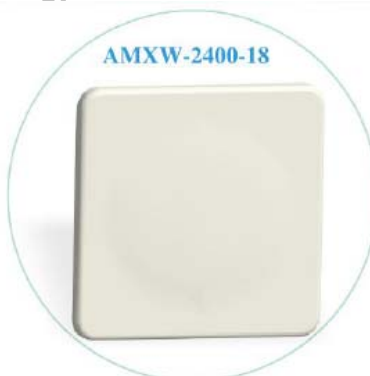
| Dimensions -mm | Half-power beam width (°) | Gain (dBi) |
|----------------|---------------------------|------------|
| 210x180x45 | H30 ;V30 | 14 |



| Dimensions -mm | Half-power beam width (°) | Gain (dBi) |
|----------------|---------------------------|------------|
| 210x180x45 | H30 ;V30 | 14 |



| Dimensions -mm | Half-power beam width (°) | Gain (dBi) |
|----------------|---------------------------|------------|
| 405x140x28 | H65 ;V15 | 18 |



| Dimensions -mm | Half-power beam width (°) | Gain (dBi) |
|----------------|---------------------------|------------|
| 305x305x20 | H23 ;V23 | 18 |



| Dimensions -mm | Half-power beam width (°) | Gain (dBi) |
|----------------|---------------------------|------------|
| 410x207x33 | H30 ;V15 | 18 |

2.3-2.7GHz Wall Mount Antenna



| Dimensions -mm | Half-power beam width (°) | Gain (dBi) |
|-------------------|---------------------------------|---------------|
| 140x120x25 | H30 ;V30 | 14 |



| Dimensions -mm | Half-power beam width (°) | Gain (dBi) |
|-------------------|---------------------------------|---------------|
| 140x120x45 | H30 ;V30 | 10 |



| Dimensions -mm | Half-power beam width (°) | Gain (dBi) |
|-------------------|---------------------------------|---------------|
| 210x180x45 | H50 ;V50 | 14 |

5.8GHz Wall Mount Antenna



| Dimensions -mm | Half-power beam width (°) | Gain (dBi) |
|-------------------|---------------------------------|---------------|
| 140x120x25 | H30 ;V30 | 14 |



| Dimensions -mm | Half-power beam width (°) | Gain (dBi) |
|-------------------|---------------------------------|---------------|
| 225x195x47 | H60 ;V16 | 15 |



| Dimensions -mm | Half-power beam width (°) | Gain (dBi) |
|-------------------|---------------------------------|---------------|
| 305x305x20 | H11 ;V11 | 23 |

CONFIDENTIAL

Catalog

| Wall Mount Antenna | | | | | | |
|---------------------------|------------------------------|-------------------|---------------------|----------------------------------|-----------------------|-------------------------|
| Model | Frequency range (MHz) | Gain (dBi) | Polarization | Half-power beam width (°) | Dimensions -mm | Packing size -mm |
| AMXW-433-6A | 428-438 | 6 | Vertical | H70 ;V65 | 255x195x47 | 250x203x74 |
| AMXW-433-6B | | 6 | | H70 ;V65 | 255x220x60 | 255x245x80 |
| AMXW-9092-7 | 902-928 | 7 | | H70 ;V60 | 210x180x45 | 235x198x65 |
| AMXW-9092-8 | | 8 | | H65 ;V40 | 225x195x47 | 250x230x74 |
| AMXW-9092-9 | | 9 | | H65 ;V40 | | |
| AMXW-1200-10A | 1100-1200 | 12 | | H65 ;V40 | | |
| AMXW-1200-10B | | 12 | | H65 ;V40 | | |
| AMXW-1722-14A | 1710-2170 | 14 | | H30 ;V30 | 225x195x47 | 250x230x74 |
| AMXW-1722-14B | | 14 | | H30 ;V30 | | |
| AMXW-1922-10A | 1920-2170 | 10 | | H70 ;V55 | 140x120x40 | 170x130x65 |
| AMXW-1922-10B | | 10 | | H60 ;V55 | 225x195x47 | 250x230x74 |
| AMXW-1922-14A | | 14 | | H30 ;V30 | | |
| AMXW-1922-14B | | 14 | | H30 ;V30 | | |
| AMXW-3500-14 | | 3400-3600 | | 14 | H30 ;V30 | 140x120x25 |
| AMXW-3338-14 | 3300-3800 | 14 | | H30 ;V30 | 140x120x40 | 170x130x65 |
| AMXW-5800-10 | 5725-5850 | 10 | | H90 ;V30 | | |
| AMXW-5800-14A | | 14 | | H30 ;V30 | | |
| AMXW-5800-14B | | 14 | | H90 ;V16 | 225x195x47 | 250x203x74 |
| AMXW-5158-15 | 5100-5850 | 15 | | H60 ;V16 | | |
| AMXW-5158-18 | | 18 | | H20 ;V20 | 305x304x20 | 325x325x75 |
| AMXW-5158-23 | 5725-5850 | 23 | H11 ;V11 | | | |



| Wall Mount Antenna | | | | | | |
|--------------------|-----------------------|------------|--------------|---------------------------|----------------|------------------|
| Model | Frequency range (MHz) | Gain (dBi) | Polarization | Half-power beam width (°) | Dimensions -mm | Packing size -mm |
| AMXW-2327-10A | 2300-2700 | 10 | Vertical | H50 ;V50 | 140x120x25 | 170x130x65 |
| AMXW-2327-10B | | 10 | | | 140x120x40 | |
| AMXW-2327-14 | | 14 | | H30 ;V30 | 220x173x25 | 267x182x67 |
| AMXW-2400-10A | 2400-2483 | 10 | | H50 ;V50 | 140x120x25 | 170x130x65 |
| AMXW-2400-10B | | 10 | | | 140x120x40 | |
| AMXW-2400-12 | | 12 | | H50 ;V30 | 198x98x25 | |
| AMXW-2400-14A | | 14 | | H30 ;V30 | 225x195x47 | 250x230x74 |
| AMXW-2400-14B | | 14 | | | | |
| AMXW-2400-14C | | 14 | | | 235x195x35 | 235x198x65 |
| AMXW-2400-14D | | 14 | | | 250x220x60 | 255x245x80 |
| AMXW-2400-14E | | 14 | | | 210x180x45 | 235x198x65 |
| AMXW-2400-14F | | 14 | | | 218x175x25 | 267x182x67 |
| AMXW-2400-14G | | 14 | | | | |
| AMXW-2425-15 | | 15 | | H65 ;V15 | 405x140x28 | 435x146x65 |
| AMXW-2400-16 | | 16 | | H65 ;V10 | 454x134x30 | 490x150x80 |
| AMXW-2400-18 | | 18 | H23 ;V23 | 305x305x20 | 325x325x75 | |
| AMXW-2400-18A | | 18 | H30 ;V15 | 410x207x36 | 455x211x75 | |
| AMXW-2400-18B | | 18 | | | | |

Confidential