

Connector Datasheet

PT06J00008Y4

RJ45 1X1 Tab Down W/O LED & W/O Spring
W/2.5G Base-T Transformer

Prepared: Hyde		Approved: ADAM	
Checked: FEIDI		Customer:	
Version	Changed Reason	Changed by	Date
01	Original version	Hyde	20191030

Address (India): H-601, Officer City2, Rajnagar Extension, Ghaziabad

Address (TW): 2F., NO 3, Gongye 4th RD., Hukou Shiang Hsinchu County 303-51, Taiwan

TECHNICAL INFORMATION

1 SCOPE

1.1 Content

1.1.1 This specification covers performance, tests and quality requirements for RJ45 1X1 Tab Down W/O LED& W/O Spring
W/2.5G Base-T Transformer

2 APPLICABLE DOCUMENTS

The following documents form a part of this specification to the extent specified herein. Unless otherwise specified, latest edition of the specification applies. In the event of conflict between requirements of this specification and product drawing, product drawing shall take precedence.

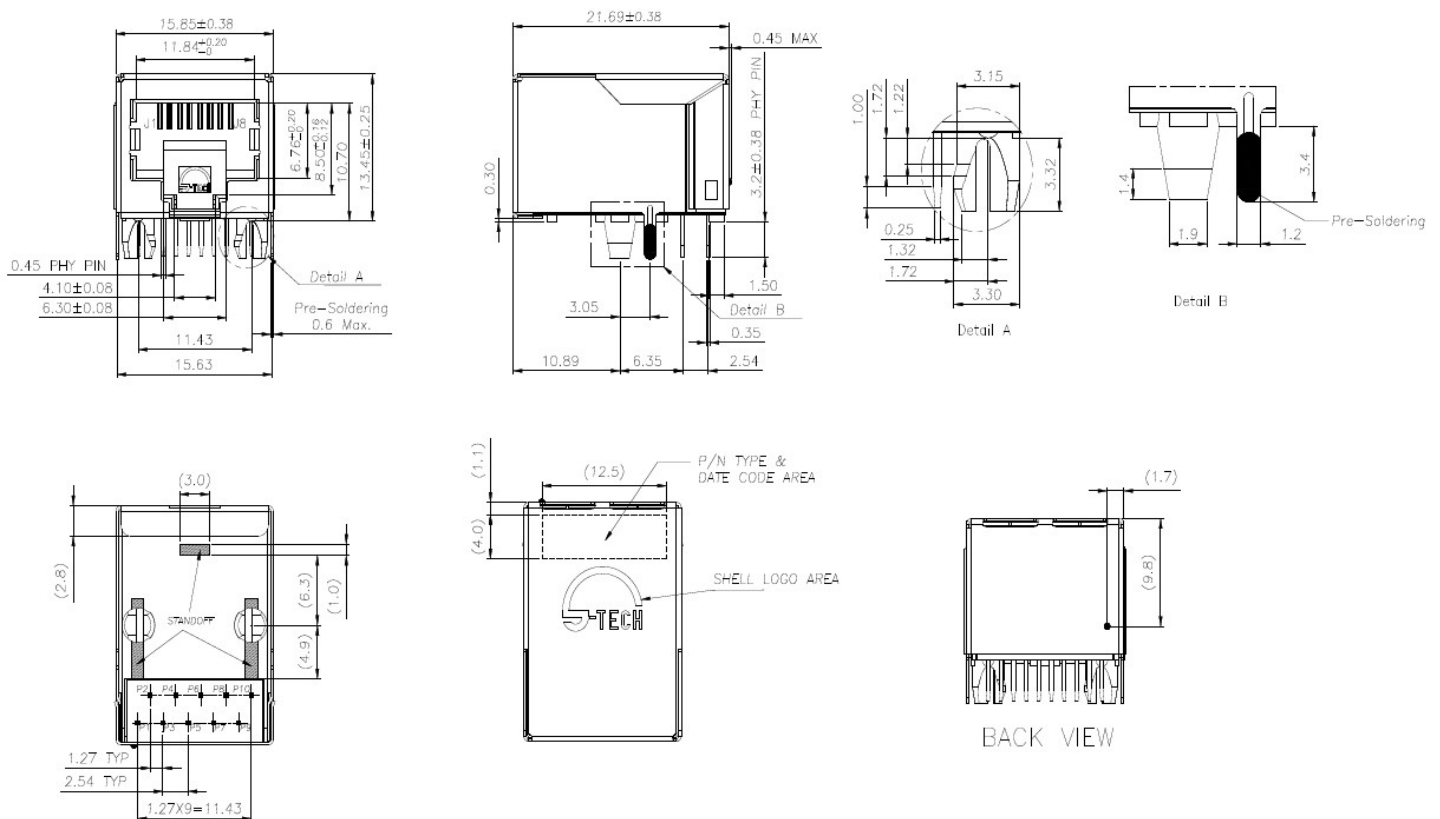
2.1 Commercial standards, specifications and report

2.1.1 MIL-STD-1344A

2.1.2 EIA-364

3 MECHANIC DIMENSIONS

Component Configuration and Dimensions

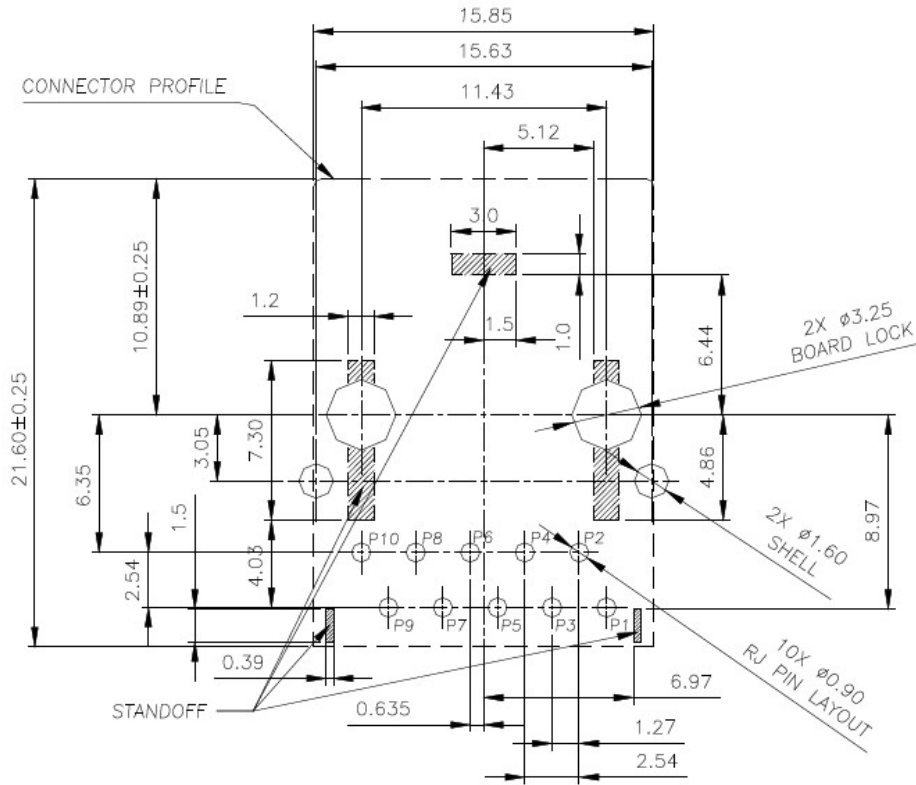


Confidential

This is a proprietary information of PSG.
No reproduction / copying is allowed without permission.

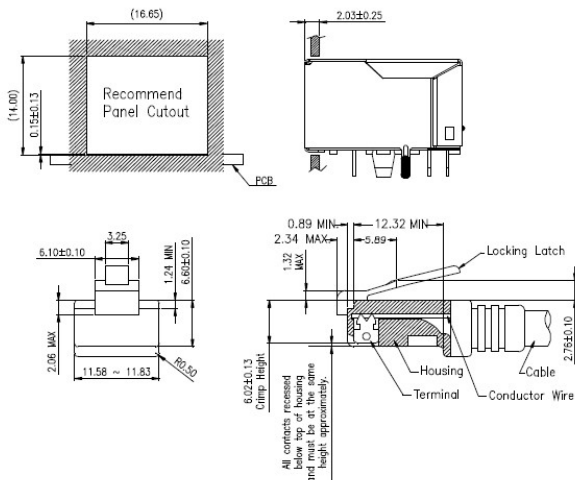
<https://www.psgtek.com>

Pins assignment for PCB Layout



RECOMMENDED PCB LAYOUT
COMPONENT SIDE
 ALL DIMENSION TOLERANCE ARE $\pm 0.05\text{mm}$
 UNLESS OTHERWISE SPECIFIED

Recommend Panel Cutout and Plug Dim



All dimensions follow :
 FCC subpart F, 68,500, Figure (C)(2)(i)
 IEC 60603-7
 STANDARD MODULAR PLUG ASSEMBLY

4 REQUIREMENTS

4.1 Design and Construction

4.1.1 Product shall be of design, construction and physical dimensions specified on applicable product drawing.

4.2 Materials and Finish 4.2.1 Contact :

4.2.1.1 RJ Contact : Phosphor Bronze Finish :

- (a) Contact Area : 10 μ " Au
- (b) Solder tail Area : 100 μ " Matted Tin
- (c) Underplating : 50 μ " Nickel over all

4.2.1.2 Joint Contact : Phosphor Bronze Finish : 100 μ " Matted Tin on 50 μ " Nickel over all

4.2.2 Plastic Part : 4.2.2.1 Housing : High temperature engineering plastic, PA46, Yellow(114C) Flame Class : UL94 V-0

4.2.2.2 Module : High temperature engineering plastic, PF(Phenolic resin), Black Flame Class : UL94 V-0

4.2.3 Shell 4.2.3.1 Shell : Stainless steel

4.2.3.2 Shell of grounding pin: pre-soldering Sn

4.2.3.3 Operating and Storage Temperature

4.2.4 Operating Temperature : 0°C TO +70°C

4.2.5 Storage Temperature : -40°C TO +85°C

4.3 Mechanical Characteristics

4.3.1 Mating force: 20N MAX

4.3.2 Unmating force(w/o tab locking): 20N MAX

4.3.3 Durability: 1000 cycles

4.4 Reliability Test:

4.4.1 Resistance to soldering heat - High Temperature Resistance: 265 \pm 5/-0°C , 3-5 seconds for 2 times.

4.4.2 Rework temperature: 350°C Max. 3~5seconds for 3 times.

4.5 Environmental Test:

4.5.1 Moisture Resistance : MSL level-3

4.5.2 Saving life: 1 year

4.5.3 Thermal shock cycle Test: Expose Sample connectors under the temperature changes between -40°C and 85°C for 25 cycles holding for 30minutes at the both extremes, in accordance with test method of SPEC.

4.5.4 Temperature life: Subject Sample connectors to temperature life at 85°C for 168 hours. EIA-364-22B, Class shell be satisfied.

4.5.5 Humidity test: Subject Sample connector, to relative humidity 85%RH and a temperature of 85°C for 168 hours. It shall be subjected to standard atmospheric. Class shell be satisfied. MIL-STD-1344A.method:1002.2.

4.6 Performance and Test Description

Product is designed to meet electrical, mechanical and environmental performance requirements. All tests are performed at ambient environmental conditions per MIL-STD-1344A and EIA-364 unless otherwise specified.

4.7 Packaging and Packing

All parts shall be packaged and packed to protect against physical damage, corrosion and deterioration during shipment and storage.

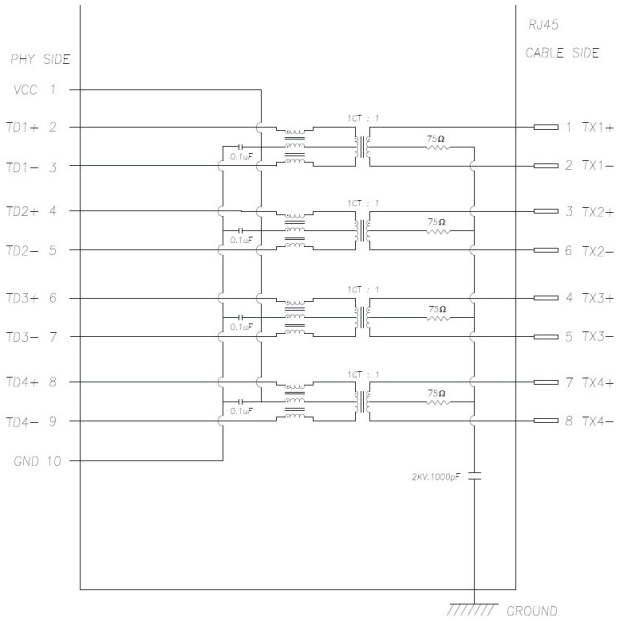
Confidential

This is a proprietary information of PSG.
No reproduction / copying is allowed without permission.

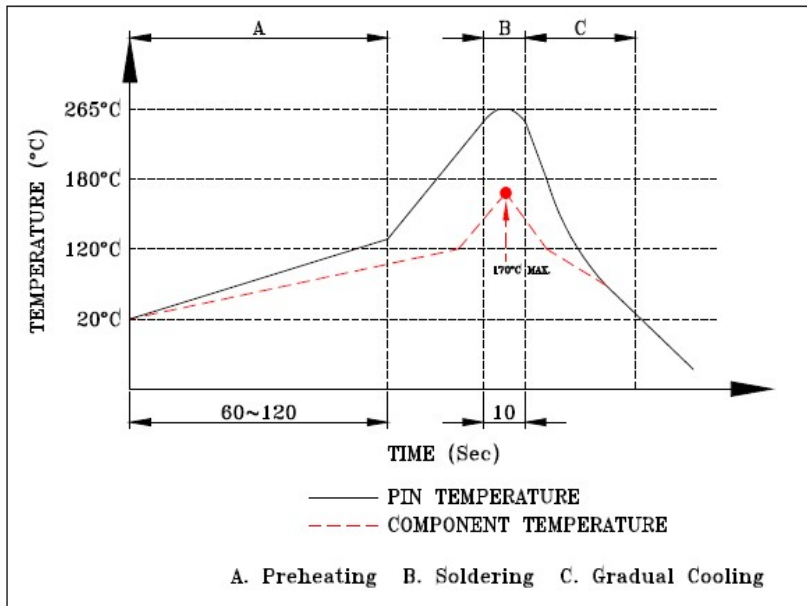
<https://www.psgtek.com>

5 ELECTRICAL CHARACTERISTICS

5.1 Schematic



Resistance to flow solder heat



SUGGESTED WAVE SOLDER CURVE

(1)Tip temperature : 265+5/-0°C

(2)Tip temperature time : 3~5sec

Note: The product specification only for standard product